

## Round nozzle RD 70.50 black



**Aurora-Nr./Aurora No.** 334-220-0045  
**Merkmale/Attributes** 70mm | hose 50mm | convex, clip at 3mm or 5mm wall

### Description



**AURORA round nozzle to be used as vents especially for footspace, driver and defrost.**

AURORA round nozzles are figured by inner and outside part. The inner ring consisting also the blades rotates in an outside frame. This avoids damage and wear of the dash board. Blades lock up the louver. The round nozzles are available in different diameters and mostly with optional hose adaption. Separate hoses and hose adapters in different dimensions are available by request.



## Technical details

- very effective air distribution
- nozzle can be turned 360°
- visible surface VDI 3400/30

### Material:

30% Glass fibre reinforced polyamide PA6, black.

conditions: can be used up to 5000 hours at 120°C (248°F) and short-time (about 1 hour) up to 190°C (374°F).

RD 70.50 round nozzle with outside diameter 70mm and hose connection ø50mm.

### Mounting instructions:

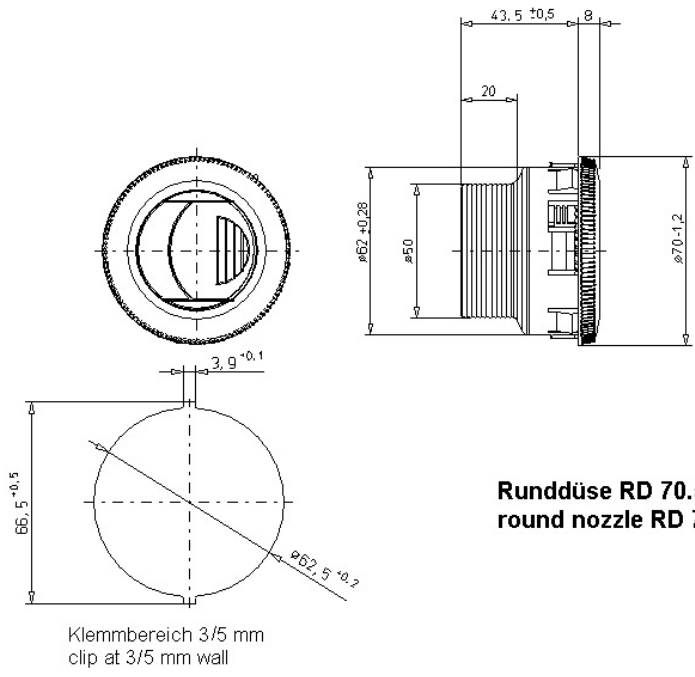
Nozzle can only be clipped in 3mm or 5mm wall thickness.

Install mounting base then insert rotating bezel until it snaps into retaining position.

We would be pleased to inform you on demand about possible options.

[further\\_technical\\_information.pdf](#)

Drawing



**Runddüse RD 70.50**  
**round nozzle RD 70.50**

Klemmbereich 3/5 mm  
clip at 3/5 mm wall