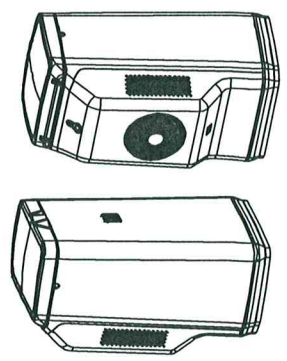
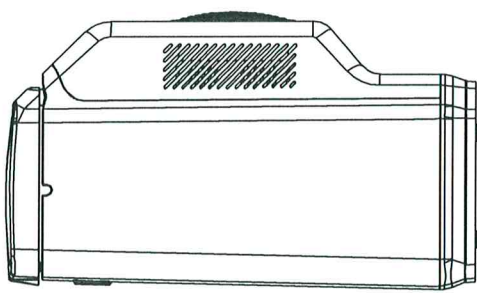
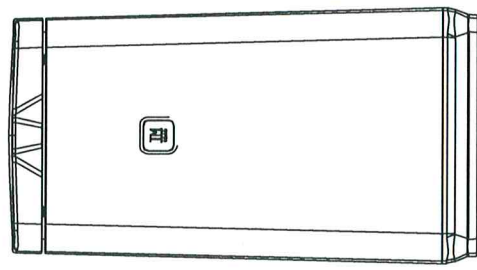
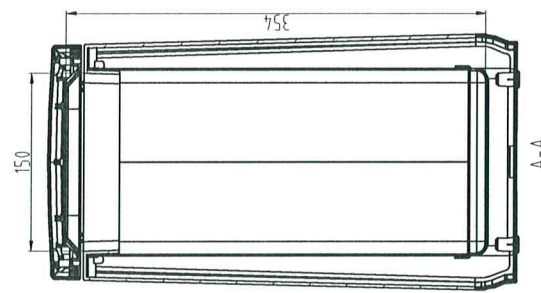
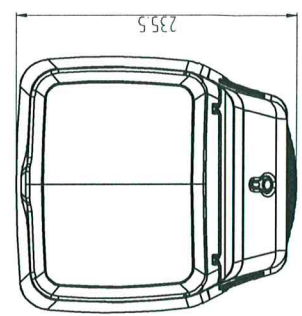
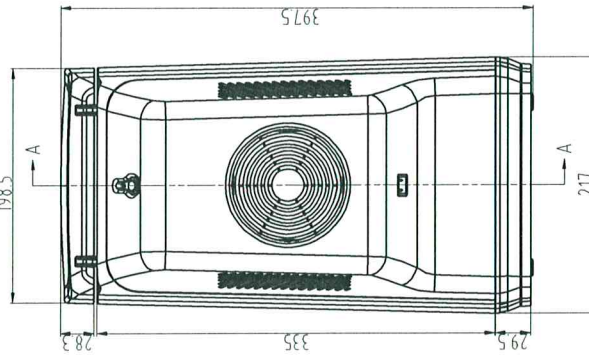
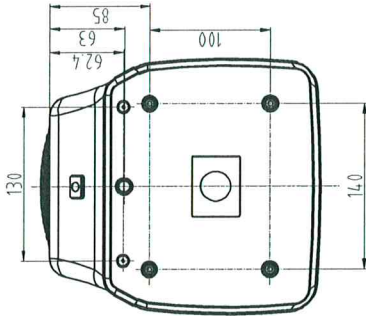


File record	
Disyburged	Number
file	1
Quality	1
control	1
manufact	1
urchaser	2
assemble	0
mould	0

Customer Code 01.0024.00.00



ISO VIEW
1:2

Specification:
 1. Cooling power (Peltier element) is 35 W;
 2. Temperature is 0-2 °C;
 3. Volume is 5.5 litre.

mark	amount	change file NO	sign	date
drawing		standar-		
check		-izing	approve	
Summer time II Assembly drawing				
drawing NO	ERP NO	drawing mark	number	weight
		revised	1	800
		central		
		used		
		total page: 1		page: 1